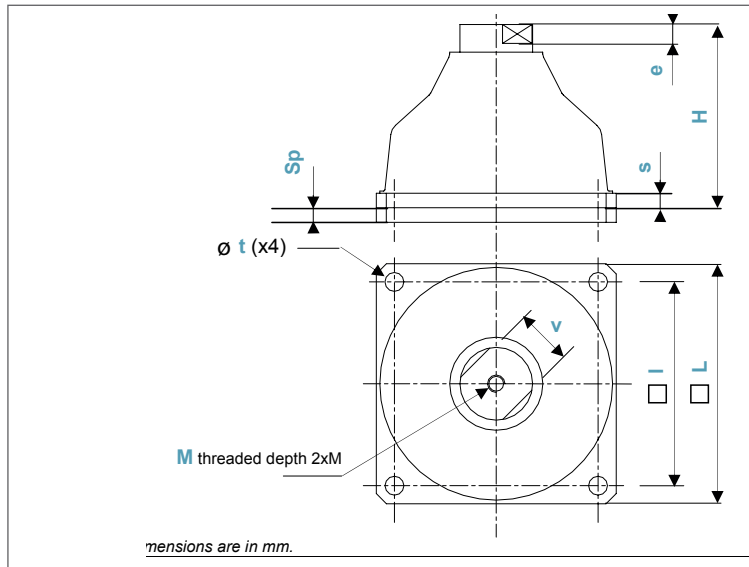


LOW FREQUENCY ELASTOMER MOUNTS: **BF**

DEFINITION
series BF45



- Multidirectional anti-vibration/shock mounts.
- Displacement under shock from 45 to 70mm.
- Transmissibility : $Q < 10$.
- Resonant frequency 6Hz for normal load.
- Temperature range: -30°C $+90^{\circ}\text{C}$.
- Great adaptability / versatility.

SPECIALS ON REQUEST

(materials, size and interfaces, etc.).

Dimensions are in mm. For reference only.

SERIE	DIMENSIONS & LOAD										nom. load (daN)	axial stiffness (N.mm ⁻¹)	mass (kg)	
	model	H	L	l	e	v	t	M	s	Sp				
BF45 Elastomer: polychloroprene Top and bottom interfaces: salt fog anti corrosion paint or Zinc-Coated Metal Parts Other materials on request	-30										30	25	1,2 (2,3) (3,5)	
	-45										45	35		
	-60	100	150	114	10	27	9	M10	5	-	60	50		
	-85									(10)	85	65		
	-110									(25)	110	85		
	-130										130	100		
	-170											170	130	
	-230	126	165	140	13	41	13	M20	10	-	230	175	3,4 (3,8) (4,7)	
	-320									(5)	320	230		
	-425									(15)	425	230		
-500										500	400			
-625	154	250	210	14	41	18	M24	15	-	625	500	12,5		
-800										800	650			
-1080										1080	840			

EXAMPLE
BF45-230e15

B	F	4	5	-	2	3	0	e	1	5
---	---	---	---	---	---	---	---	---	---	---

SPACER: e15
thickness: 15mm

PREFIX:
'low frequency' mount from the BF45 series

MODEL: -230
height: 126mm
width: 165mm
interface: M20

nom. load: 230 daN
axial average stiffness: 175 N.mm⁻¹

